

Continued from previous page.

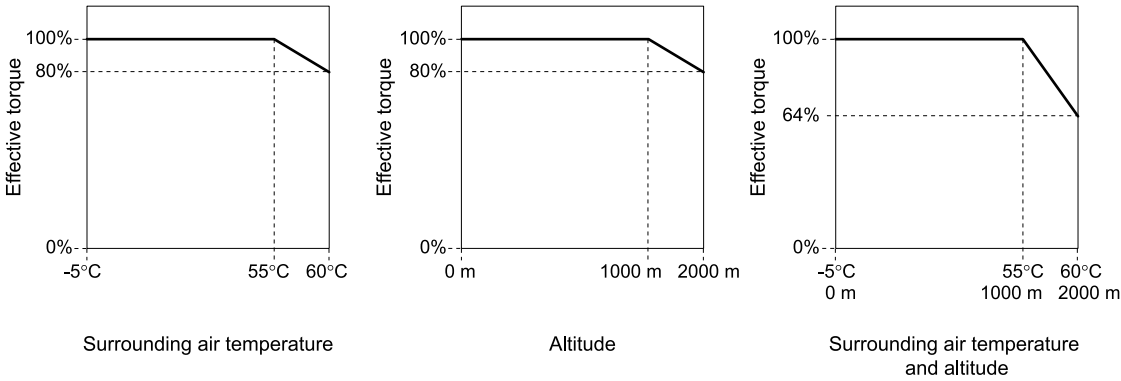
Item	Specification
Overtravel (OT) Prevention	Stopping with dynamic brake, deceleration to a stop, or coasting to a stop for the P-OT (Forward Drive Prohibit Input) or N-OT (Reverse Drive Prohibit Input) signal
Protective Functions	Overcurrent, overvoltage, undervoltage, overload, regeneration error, etc.
Utility Functions	Gain tuning, alarm history, jogging operation, origin search, etc.

■ Option

Item	Specification
Applicable Option Modules	None

Derating Specifications

If you use the SERVOPACK at a surrounding air temperature of 55°C to 60°C or at an altitude of 1000 m to 2000 m, you must apply the derating rates given in the following graphs.

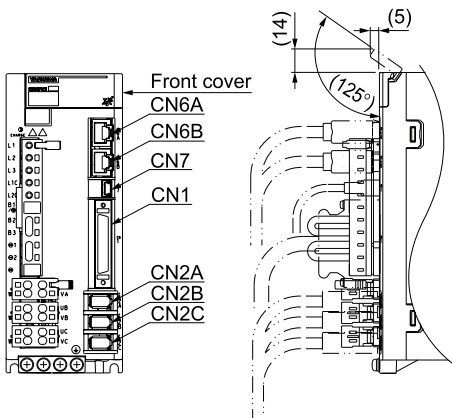


External Dimensions

Front Cover Dimensions and Connector Specifications

The front cover dimensions and panel connector section are the same for all capacities. Refer to the following figures and table.

■ Front Cover Dimensions



■ Connector Specifications

Connector No.	Model	Number of Pins	Manufacturer
CN1	10250-52A2PL	50	3M Japan Limited
CN2A, CN2B, CN2C	53460-0669	6	Molex Japan Co., Ltd.
CN6A, CN6B	3-1734579-4	8	Tyco Electronics Japan G.K.
CN7	2342993-1	5	Tyco Electronics Japan G.K.

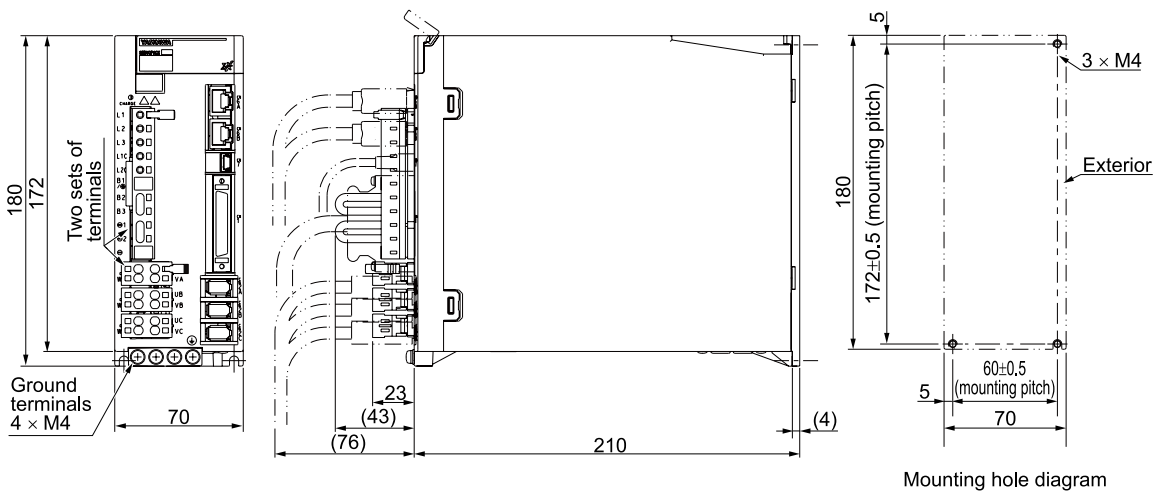
Note:

The above connectors or their equivalents are used for the SERVOPACKs.

SERVOPACK External Dimensions

■ Base-mounted SERVOPACKs

◆ SGDXT-1R6A, -2R8A



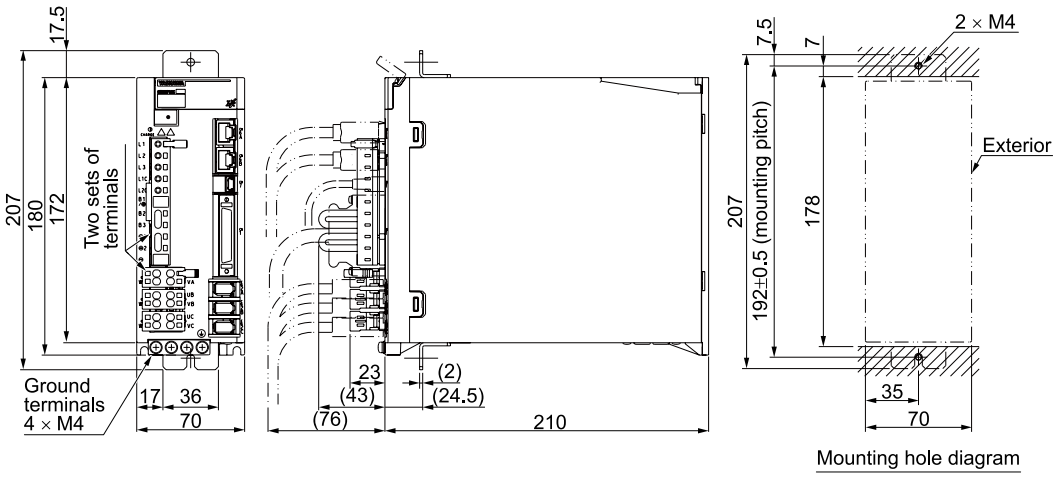
Mounting hole diagram

Approx. mass: 2.3 kg
Unit: mm

■ Rack-mounted SERVOPACKs

Hardware Option Code: 0001

◆ SGDXT-1R6A, -2R8A



Mounting hole diagram

Approx. mass: 2.3 kg
Unit: mm