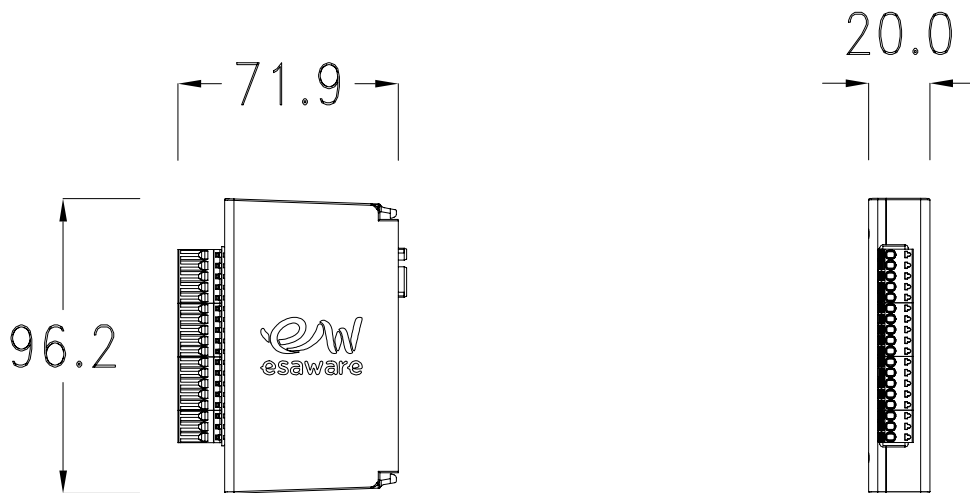


EW INGRESSI/USCITE
EW INPUT/OUTPUT
EW ENTRÉES/SORTIES
EW EINGABE/AUSGABE
EW ENTRADAS/SALIDAS

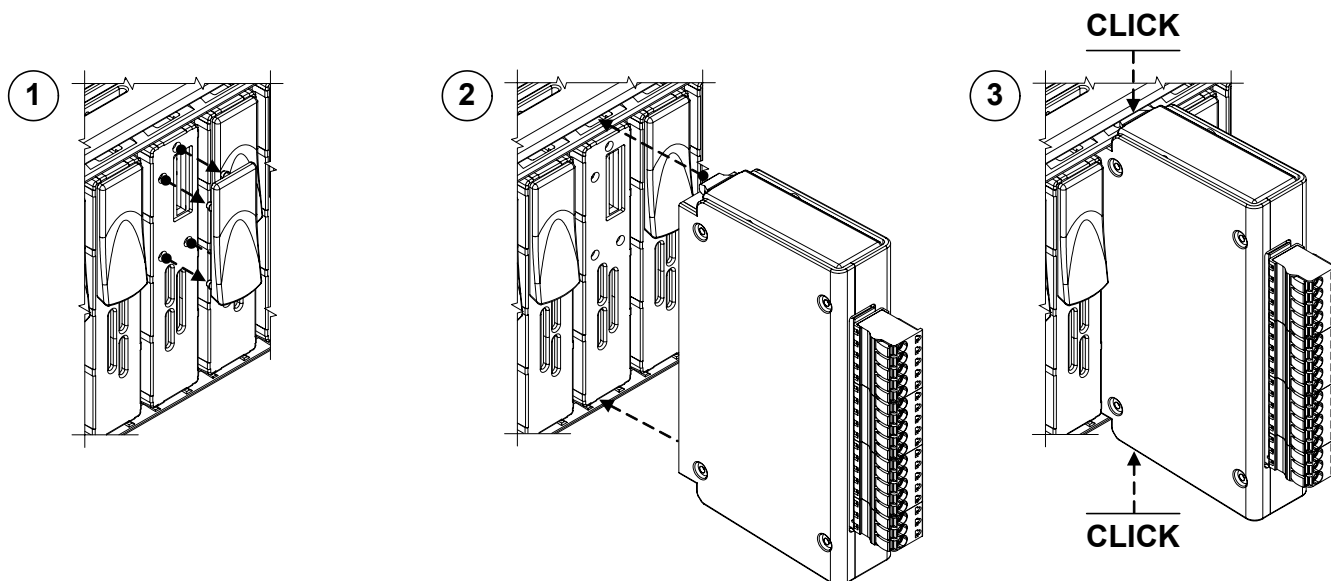
Dimensioni / Dimensions / Dimensions / Abmessungen / Dimensiones

EW600D



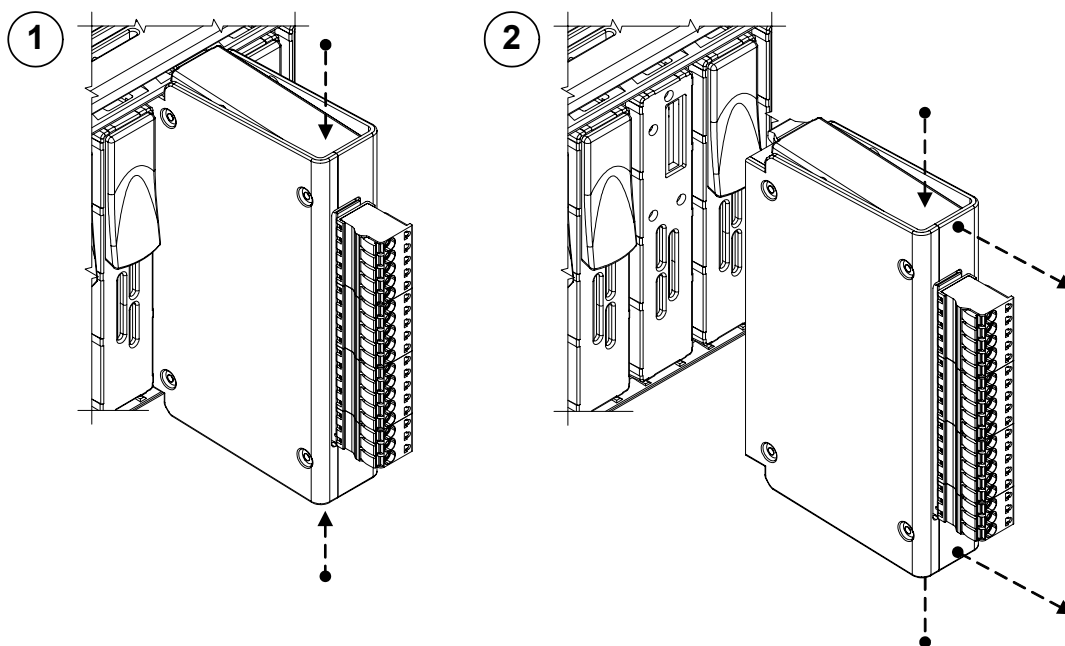
Montaggio EW600 su terminale EW / Assembly of terminal EW600 EW / Montage du EW600 sur terminaux EW / Montage des Terminals EW600 EW / Montaje del terminal EW600 EW

1. Spegner il EW / Switch off EW / Éteindre le EW / Das EW ausschalten / Apague el EW

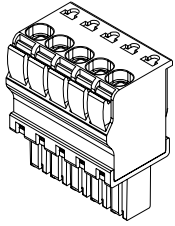
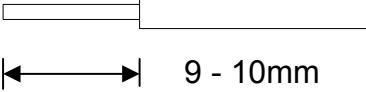


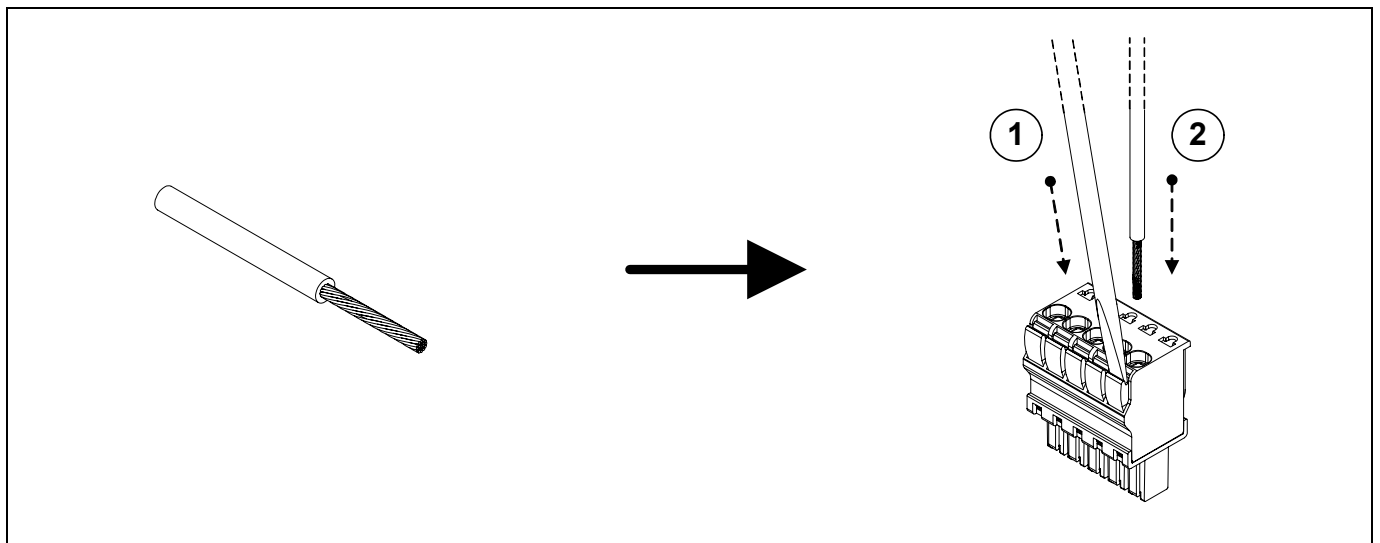
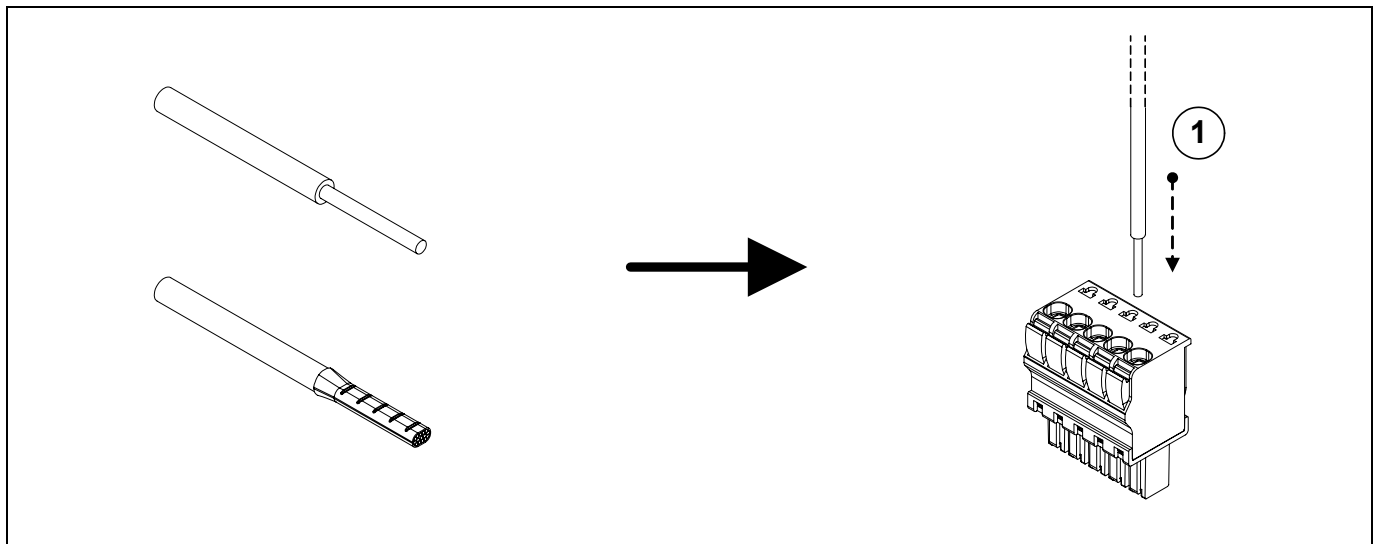
Rimozione EW600 da terminale EW / Removal from terminal EW600 EW / Retrait du EW600 des terminaux EW / Trennung vom Terminal EW600 EW / Extracción del terminal EW600 EW

1. Spegner il EW / Switch off EW / Éteindre le EW / Das EW ausschalten / Apague el EW

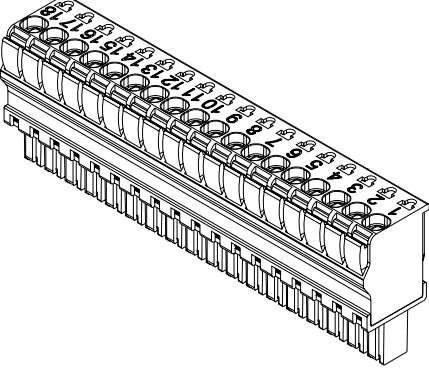


Collegamenti elettrici / Electrical Connections / Connexions électriques / Elektrische Anschlüsse / Conexiones Eléctricas

Spring connector		
	 <p>9 - 10mm</p>	<p>0,14 - 1,5 mm² 30 - 14 AWG</p>



Collegamenti elettrici / Electrical Connections / Connexions électriques / Elektrische Anschlüsse / Conexiones Eléctricas

EW600D06N00 - I/O THERMOCOUPLE 6IN Type K / J / E / T / N / B / R / S (software selectable)				
	1	CH0	TC0+	
	2		TC0-	
	3	CH1	TC1+	
	4		TC1-	
	5	CH2	TC2+	
	6		TC3-	
	7	CJ1	CJ1+	
	8		CJ1-	
	9	CH3	TC3+	
	10		TC3-	
	11	CH4	TC4+	
	12		TC4-	
	13	CH5	TC5+	
	14		TC5-	
	15	CJ2	CJ2+	
	16		CJ2-	
	17	Not Connected		
	18	Not Connected		

Software configurable																																									
External cold junction compensation (Pt100)	Internal cold junction compensation																																								
<table border="1"> <tr> <td rowspan="2">C H 0</td> <td>TC0+</td> <td rowspan="2">+</td> <td rowspan="2">-</td> </tr> <tr> <td>TC0-</td> </tr> <tr> <td rowspan="2">C H 1</td> <td>TC1+</td> <td rowspan="2">+</td> <td rowspan="2">-</td> </tr> <tr> <td>TC1-</td> </tr> <tr> <td rowspan="2">C H 2</td> <td>TC2+</td> <td rowspan="2">+</td> <td rowspan="2">-</td> </tr> <tr> <td>TC2-</td> </tr> <tr> <td rowspan="2">C J 1</td> <td>CJ1+</td> <td rowspan="2">+</td> <td rowspan="2">-</td> </tr> <tr> <td>CJ1-</td> </tr> </table>	C H 0	TC0+	+	-	TC0-	C H 1	TC1+	+	-	TC1-	C H 2	TC2+	+	-	TC2-	C J 1	CJ1+	+	-	CJ1-	<table border="1"> <tr> <td rowspan="2">C H 0</td> <td>TC0+</td> <td rowspan="2">+</td> <td rowspan="2">-</td> </tr> <tr> <td>TC0-</td> </tr> <tr> <td rowspan="2">C H 1</td> <td>TC1+</td> <td rowspan="2">+</td> <td rowspan="2">-</td> </tr> <tr> <td>TC1-</td> </tr> <tr> <td rowspan="2">C H 2</td> <td>TC2+</td> <td rowspan="2">+</td> <td rowspan="2">-</td> </tr> <tr> <td>TC2-</td> </tr> <tr> <td rowspan="2">C J 1</td> <td>CJ1+</td> <td rowspan="2">+</td> <td rowspan="2">-</td> </tr> <tr> <td>CJ1-</td> </tr> </table>	C H 0	TC0+	+	-	TC0-	C H 1	TC1+	+	-	TC1-	C H 2	TC2+	+	-	TC2-	C J 1	CJ1+	+	-	CJ1-
C H 0		TC0+			+		-																																		
	TC0-																																								
C H 1	TC1+	+	-																																						
	TC1-																																								
C H 2	TC2+	+	-																																						
	TC2-																																								
C J 1	CJ1+	+	-																																						
	CJ1-																																								
C H 0	TC0+	+	-																																						
	TC0-																																								
C H 1	TC1+	+	-																																						
	TC1-																																								
C H 2	TC2+	+	-																																						
	TC2-																																								
C J 1	CJ1+	+	-																																						
	CJ1-																																								