



# ERGO

## Machine Control Station gets the maximum flexibility

With its incredible flexibility and customizability, ERGO by ESA Automation changes the concept of Machine Control Panels.

Boasting a true flat projected capacitive multi-touch screen and a 21.5" million color TFT display, ERGO provides users with the highest achievable level of control and interaction, thanks to a wide range of configuration options, such as a configurable display keyboard, a membrane keypad, additional 12.1" visual area, USB, potentiometer, up to 8 push-buttons, etc.

For further flexibility, ERGO can also be provided with a powerful PC based x86 CPU up to latest generation of Intel Core processor or with an embedded Linux based ARM CPU imx6, or it can even be used just a simple monitor.

Available in two full-fledged different versions (120 degree or flat), it's suitable for both landscape and portrait assembly. Thanks to its rugged mechanical design, ERGO can also be installed in very harsh environments. The solution comes with a rugged handle and an easy VESA fixing.

ERGO can be powered by our Human Machine Interface editor and by our SoftPLC, SoftMOTION, CNC and all come with our remote assistance services.

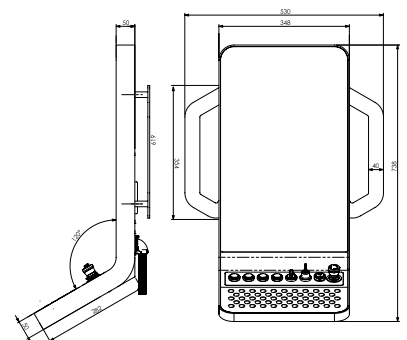
Finally, ERGO is flexibility, high performances, easy installing and intuitive usage, ensuring the most efficient human machine operation interaction, allowing machine builders to be free to choose.

### EW ERGO FEATURES

- Double capacitive configurable touch screens
- Up to 8 configurable keys
- ERGOnomic construction
- Rugged Mechanical design
- Configurable IPC
- high Protection Level: IP65
- Standards: CE
- Open PC Based platform

### FIELD OF USE

- CNC
- Industrial Robotics
- Polisher, Conveyor



EW3000	PC Control Panel Station	Embedded ARM Control Panel Station	Monitor
Mechanical versions	120°L with display keyboard and push button extensions/ flat with push button extension	120°L with display keyboard and push button extensions/ flat with push button extension	120°L with display keyboard and push button extensions/ flat with push button extension
Keyboard Extension	12.1" true flat multi-touch screen	12.1" true flat multi-touch screen	12.1" true flat multi-touch screen
Push button extension	up to 8 x 22 mm standard push-buttons, switches, emergency button, USB, etc.	up to 8 x 22 mm standard push-buttons, switches, emergency button, USB, etc.	up to 8 x 22 mm standard push-buttons, switches, emergency button, USB, etc.
Display Size	21,5"	21,5"	21,5"
Display Technology	TFT / 16,7 M colors / LED backlight	TFT / 16,7 M colors / LED backlight	TFT / 16,7 M colors/ LED backlight
Display Brightness (cd/m <sup>2</sup> )	300	300	300
Contrast	500:1	500:1	500:1
Viewing Angle H-V	89/89/89/89	89/89/89/89	89/89/89/89
Display Resolution (pixel)	1920x1080	1920x1080	1920x1080
Backlight life (hours)	50K	50K	50K
Touch Technology	Capacitive	Capacitive	Capacitive
Bezel /Chassis	Aluminum /Sheet Steel	Aluminum /Sheet Steel	Aluminum /Sheet Steel
Mounting	VESA 100	VESA 100	VESA 100
Video input			DVI + VGA
CPU Fanless Celeron 4G	Celeron quad core J1900 2,0 GHz (2,42GHz) - 10W	Quad Core i.MX6 1.2 GHz Cortex A9	
CPU Fanless Intel® Core™ 4G	Intel Core i3-4010U 1,7GHz / i7-4650U 1,7GHz (3,3GHz) - 15W		
RAM		2 GB	
FLASH		8 GB	
LAN		LAN 1xGb RJ45 - 1x10/100Gb RJ45	
RAM (Celeron quad core)	on board 4GB DDR3L 1066/1333MHz - dual channel -		
RAM (Fanless Intel® Core™)	up to 8GB DDR3L SODIMM 1333/1600MHz 204 pin -single channel-		
RS232 / RS485	1x RS232 + 1x RS485	1x RS232/RS485	
USB Ports 2.0/3.0 rear	1x 2.0 + 1x 3.0 cpu J1900 / 4x 3.0 cpu Intel®Core™	2x 2.0	1x USB 2.0 type A - rear 1x USB type B
Ethernet Celeron J1900	2x 1Gb RJ45 Intel I210		
Ethernet i-Core™ i3/i7	2x 1Gb RJ45 Intel I210/I218		
VGA/DP ( Celeron J1900)	1x / 1x (DP passive cable required)		
DP (i-Core™ i3/i7)	2x (DP active cable required)		
RAID 0/1	2x SSD on cpu i-core		
Drives (internal)	HDD min. 500GB / SSD min. 64GB / mSATA min.32GB (options)		
Power Supply (Vdc)	15...36 VDC	12...32 VDC	18...30 VDC
Consumption (W)	45 - 50 W for PC base + 24W for display keyboard (if any)	24W forARM base+ 24W for display keyboard (if any)	40W for monitor + 24W for display keyboard (if any)
Operating Temperature (°C)	-10 ... + 50 (non condensing)	-10 ... + 50 (non condensing)	-10 ... + 50 (non condensing)
Storage Temperature (°C)	-20 ... + 65	-20 ... + 65	-20 ... + 65
Humidity	90% (non condensing)	90% (non condensing)	90% (non condensing)
Operating systems	Windows7 - Windows10 - WES7	Linux	
Protection degree (all)	IP65	IP65	IP65
Certifications	CE	CE	CE