

MOTOMAN GP-Shelftype-series

Handling & General Applications
with the Shelftype GP-series

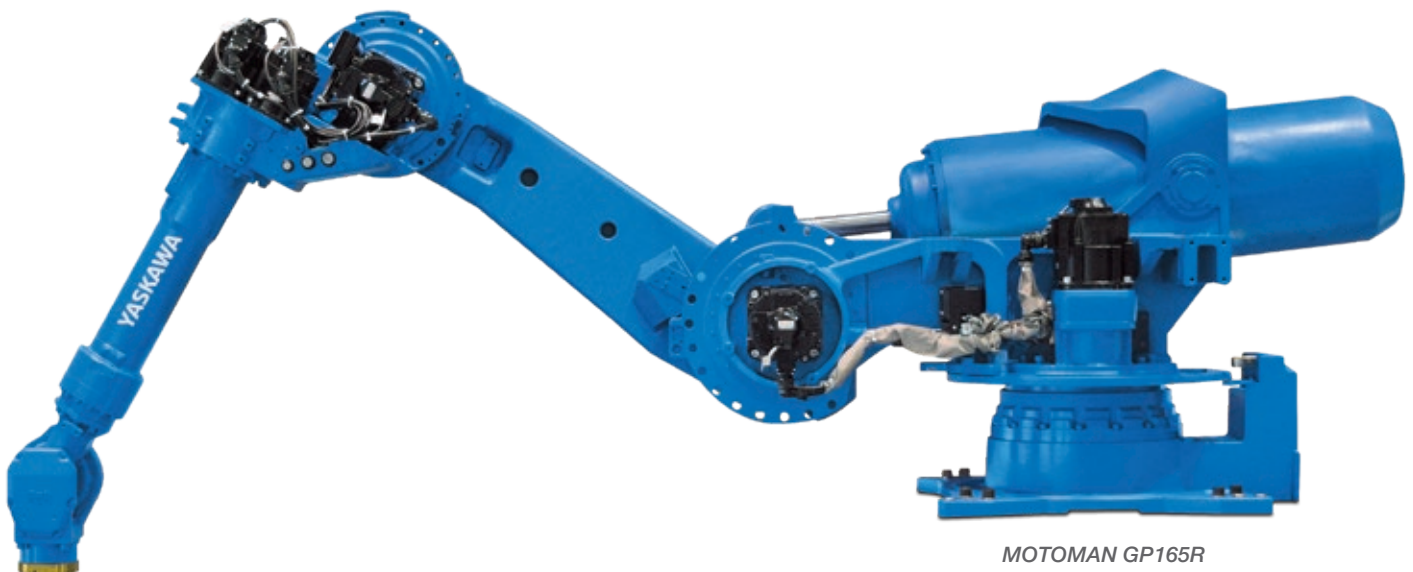
KEY BENEFITS

- Flexible and powerful (120 – 400 kg payload)
- Minimum space requirements
- Shelf-mounted:
 - Extended working range
 - Simple gripping of components
- Possibility of mounting on machine

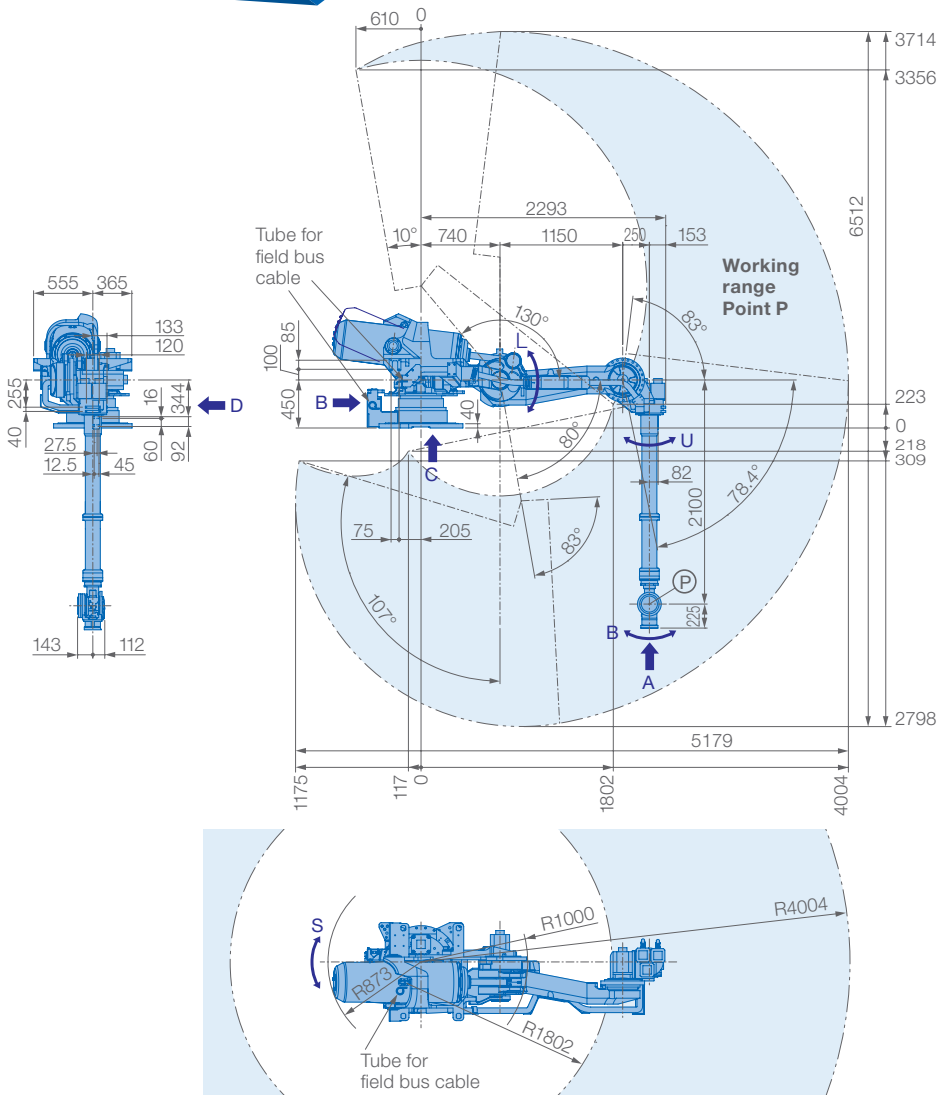
MOTOMAN GP120RL, GP165R, GP200R, GP300R and GP400R

The flexible MOTOMAN GP120RL, GP165R, GP200R, GP300R and GP400R are 6-axis shelf-mounted robots. Due to this higher position they are able to unload work pieces from above. This saves precious floor space and ensures that the space required for tool changing is kept free. Furthermore, the internal cable routing extends the service life of the robots, increases safety and reduces cycle times. These robots offer high productivity, reliability and maximum performance in the areas of handling, machine tending and press brake tending.

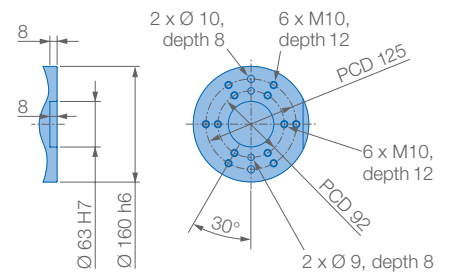
The GP-Shelftype-series are controlled by the compact high performance MOTOMAN YRC1000 controller. It is available with the optional Functional Safety Unit (FSU) that offers a wide range of new safety functions.



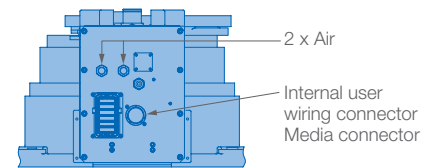
MOTOMAN GP165R



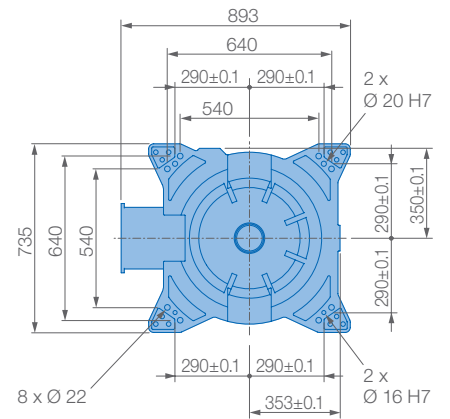
View A



View B



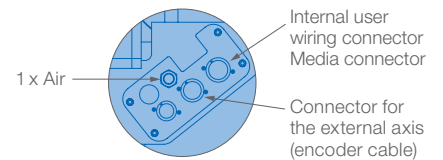
View C



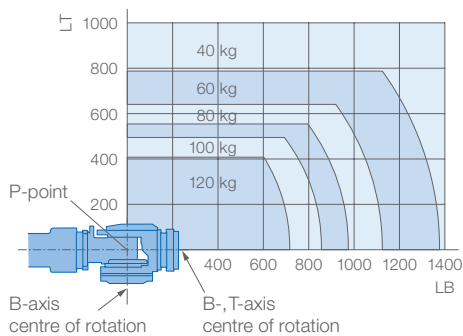
Mounting option: Shelf-mounted

Protection class: IP54/67

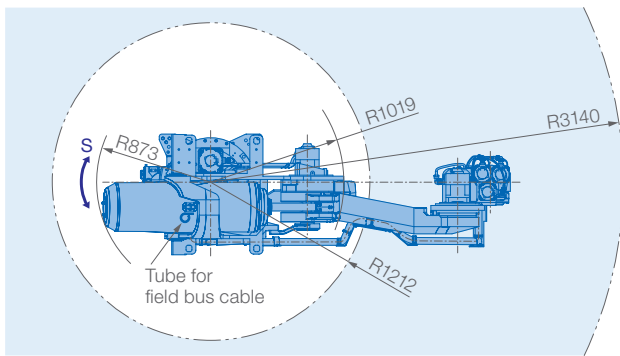
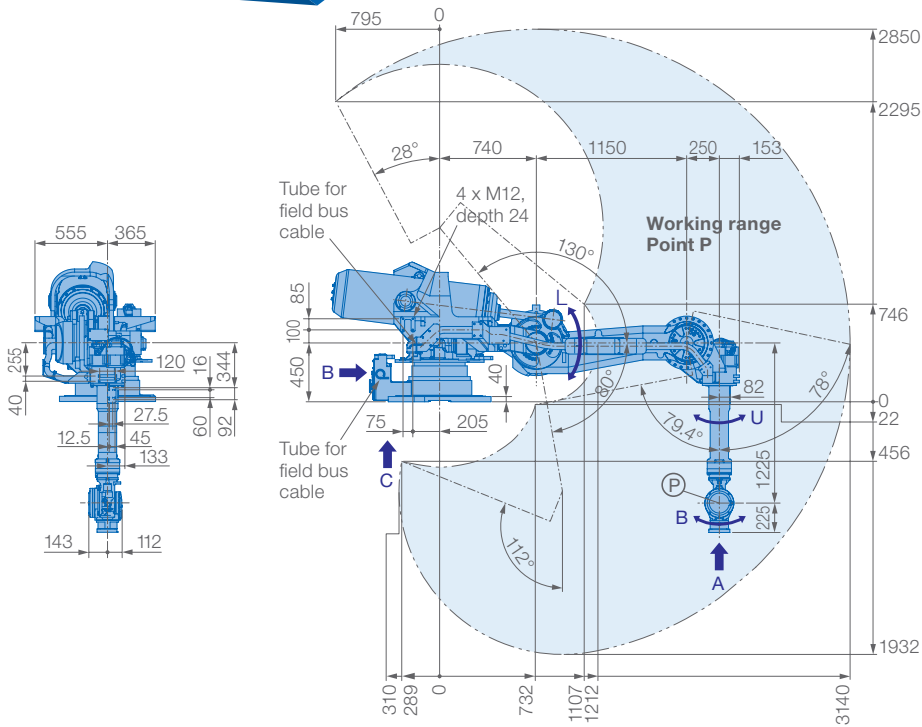
View D



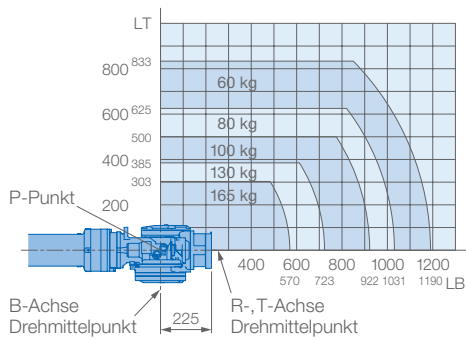
Allowable wrist load



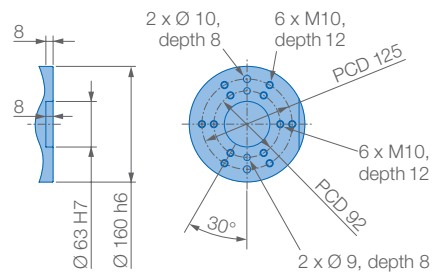
Specifications GP120RL						
Axes	Maximum motion range [°]	Maximum speed [°/sec.]	Allowable moment [Nm]	Allowable moment of inertia [kg · m ²]	Controlled axes	6
					Max. payload [kg]	120
S	±180	90	–	–	Repeatability [mm]	±0.2
L	+80/–130	85	–	–	Max. working range R [mm]	4004
U	+90/–78.4	85	–	–	Temperature [°C]	0 to +45
R	±360	175	833	75	Humidity [%]	20 – 80
B	±130	150	833	75	Weight [kg]	1830
T	±360	240	490	25	Power supply, average [KVA]	5



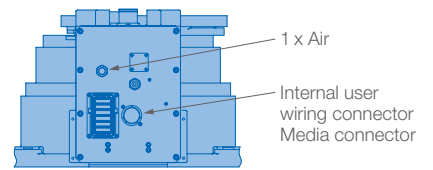
Allowable wrist load



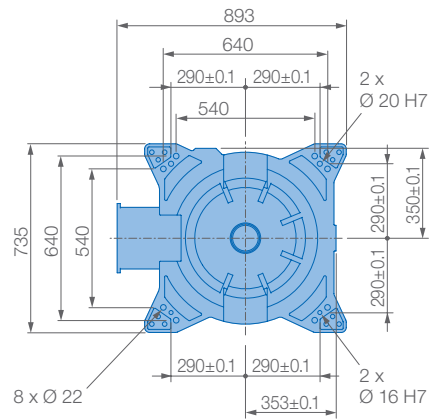
View A



View B

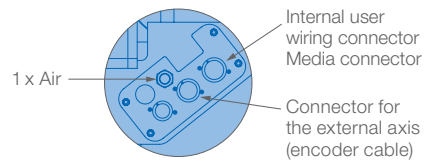


View C



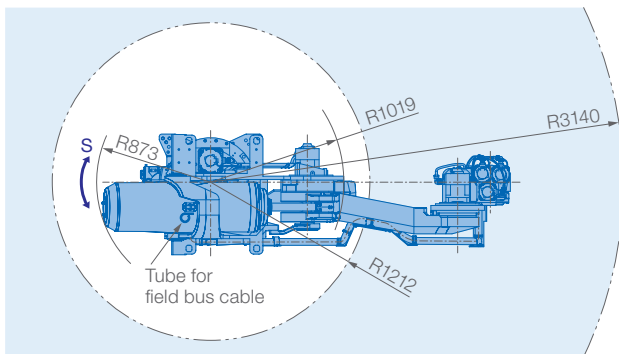
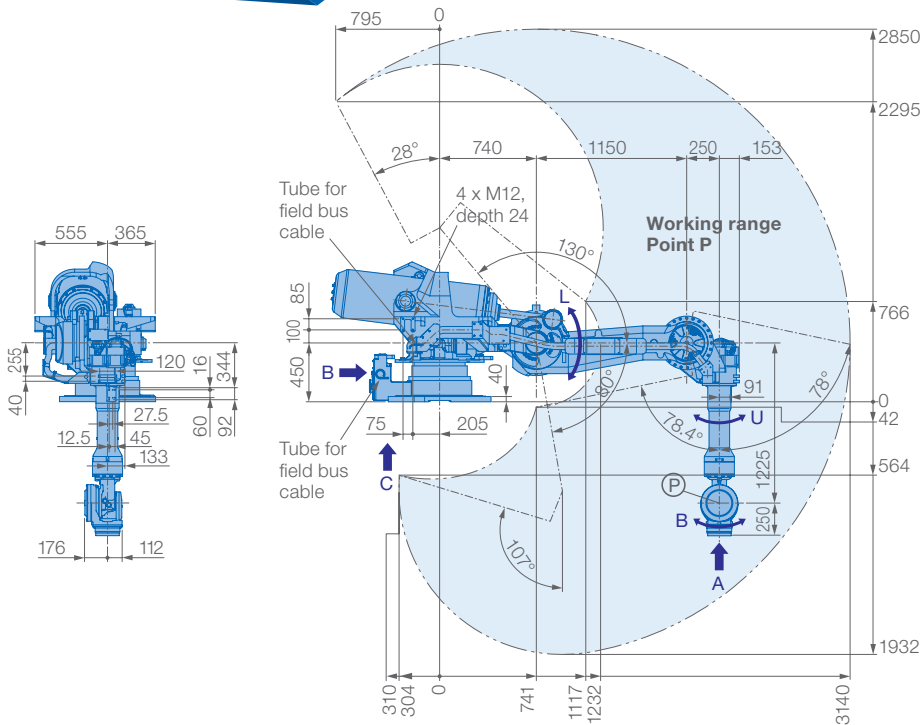
Mounting option: Shelf-mounted
Protection class: IP54/67

View D

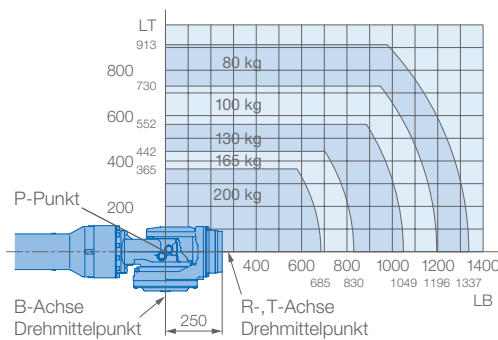


Specifications GP165R

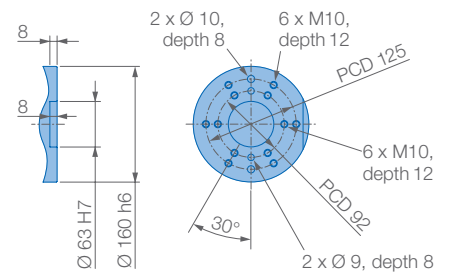
Axes	Maximum motion range [°]	Maximum speed [°/sec.]	Allowable moment [Nm]	Allowable moment of inertia [kg · m ²]	Controlled axes	6
S	±180	105	-	-	Max. payload [kg]	165
L	+80/-130	105	-	-	Repeatability [mm]	±0.05
U	+78/-79.4	105	-	-	Max. working range R [mm]	3143
R	±360	175	921	85	Temperature [°C]	0 to +45
B	±130	150	921	85	Humidity [%]	20 - 80
T	±360	240	490	45	Weight [kg]	1760
					Power supply, average [KVA]	5



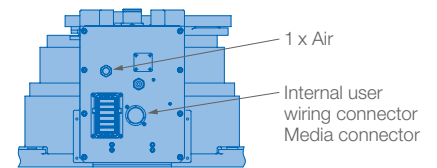
Allowable wrist load



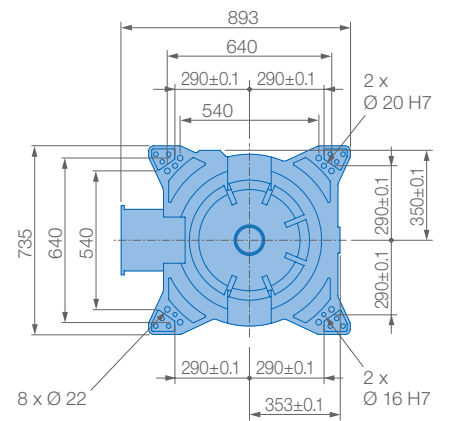
View A



View B

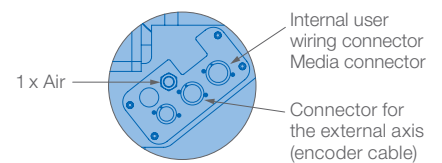


View C



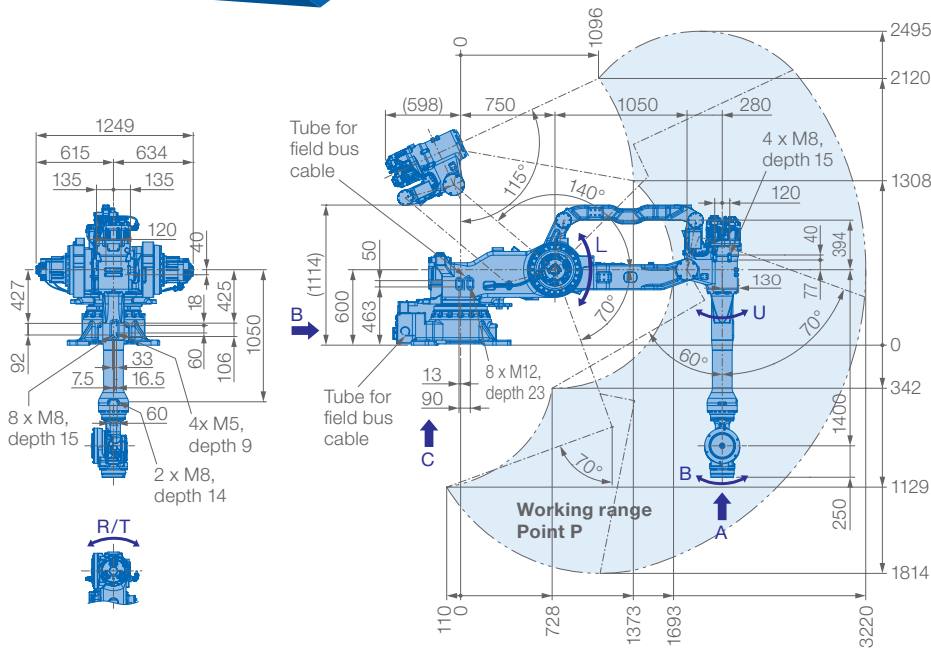
Mounting option: Shelf-mounted
Protection class: IP54/67

View D

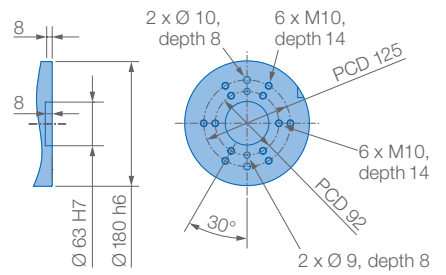


Specifications GP200R

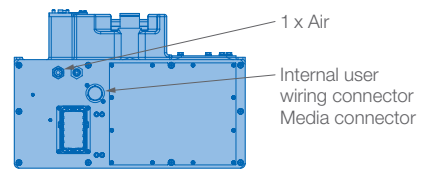
Axes	Maximum motion range [°]	Maximum speed [°/sec.]	Allowable moment [Nm]	Allowable moment of inertia [kg · m ²]	Controlled axes	6
S	±180	90	–	–	Max. payload [kg]	200
L	+80/–130	85	–	–	Repeatability [mm]	±0,05
U	+78/–78.4	85	–	–	Max. working range R [mm]	3140
R	±360	120	1344	143	Temperature [°C]	0 to +45
B	±125	120	1344	143	Humidity [%]	20 – 80
T	±360	190	715	80	Weight [kg]	1830
					Power supply, average [KVA]	5



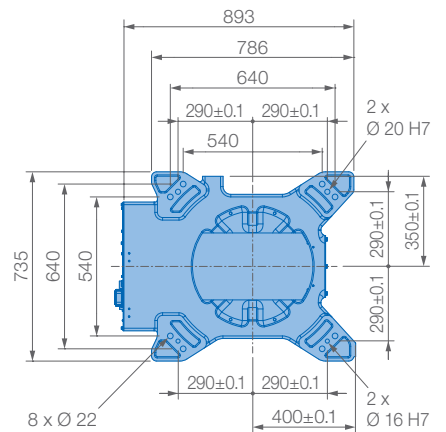
View A



View B

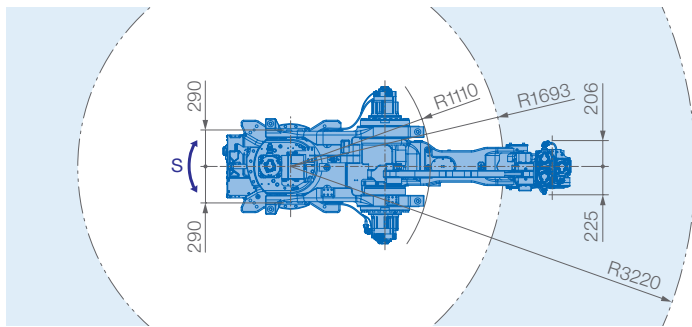
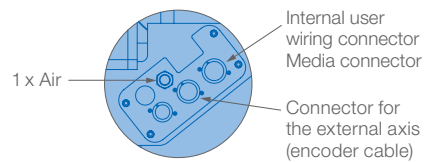


View C

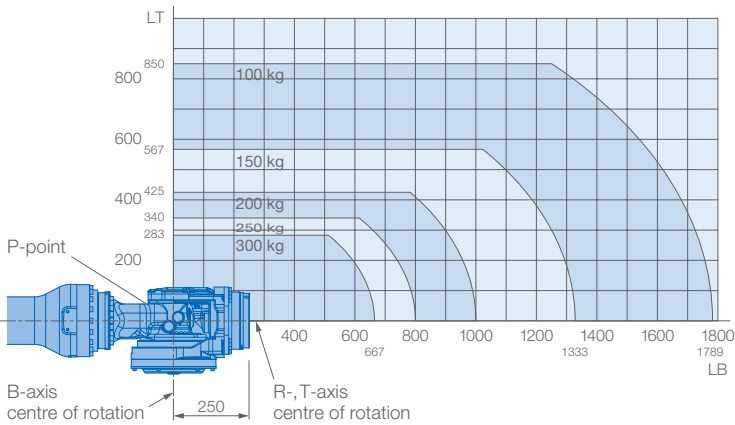


Mounting option: Shelf-mounted
Protection class: IP54/67

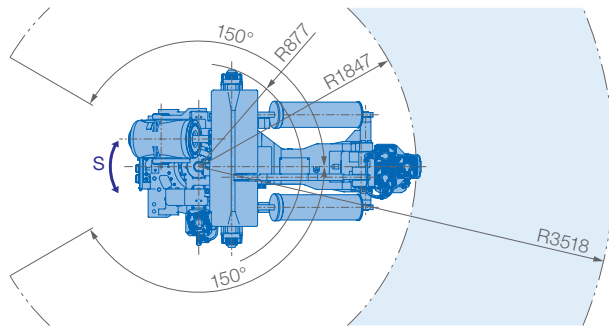
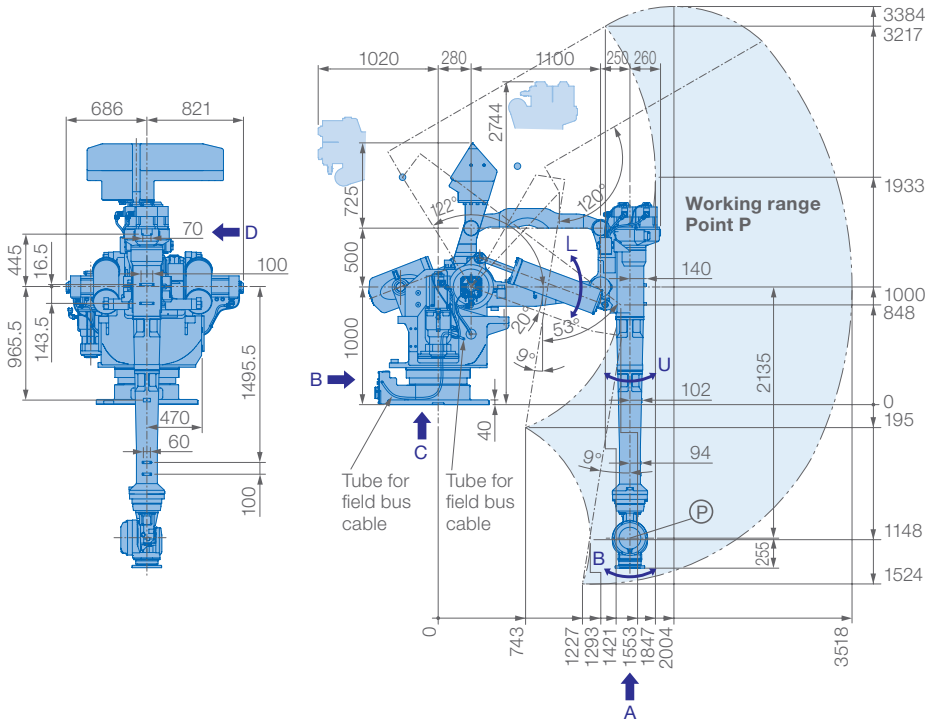
View D



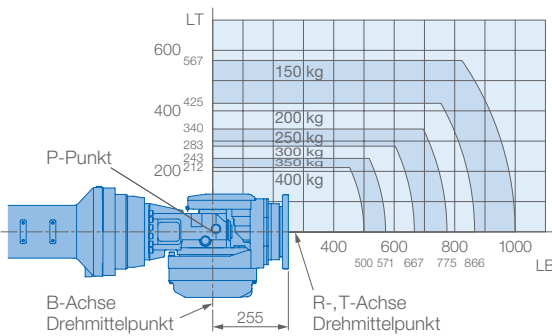
Allowable wrist load



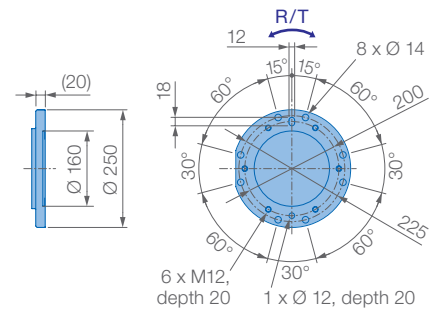
Specifications GP300R						
Axes	Maximum motion range [°]	Maximum speed [°/sec.]	Allowable moment [Nm]	Allowable moment of inertia [kg · m ²]	Controlled axes	6
S	±180	110	-	-	Max. payload [kg]	300
L	+70/-140	95	-	-	Repeatability [mm]	±0.2
U	+115/-70	95	-	-	Max. working range R [mm]	3220
R	±360	120	1962	320	Temperature [°C]	0 to +45
B	±125	120	1962	320	Humidity [%]	20 - 80
T	±360	190	834	200	Weight [kg]	1530
					Power supply, average [KVA]	5.0



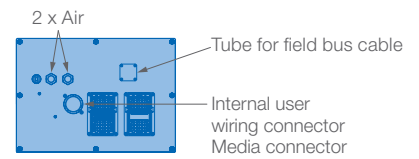
Allowable wrist load



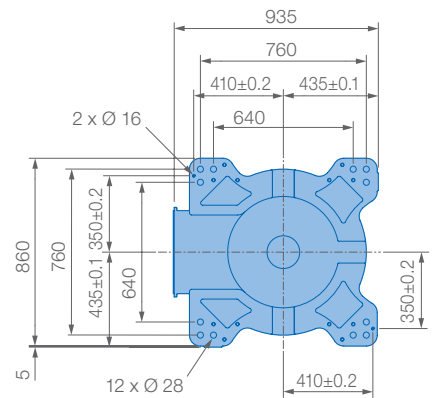
View A



View B

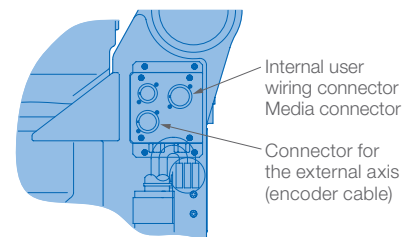


View C



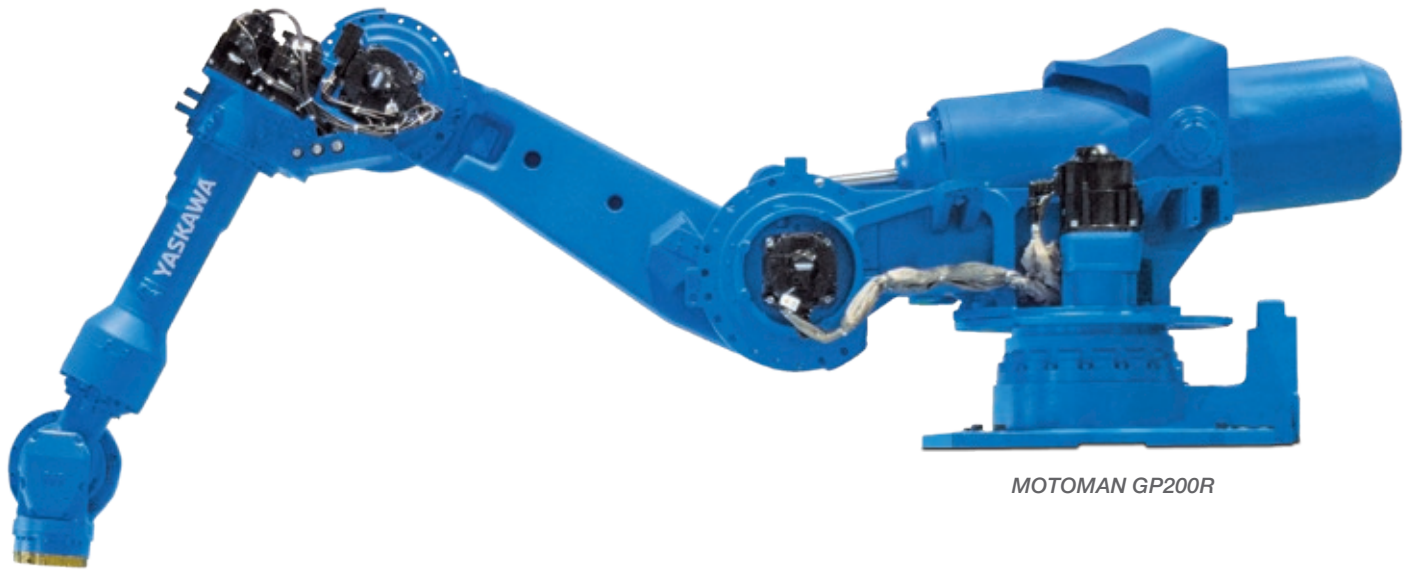
Mounting option: Shelf-mounted
Protection class: IP54/67

View D

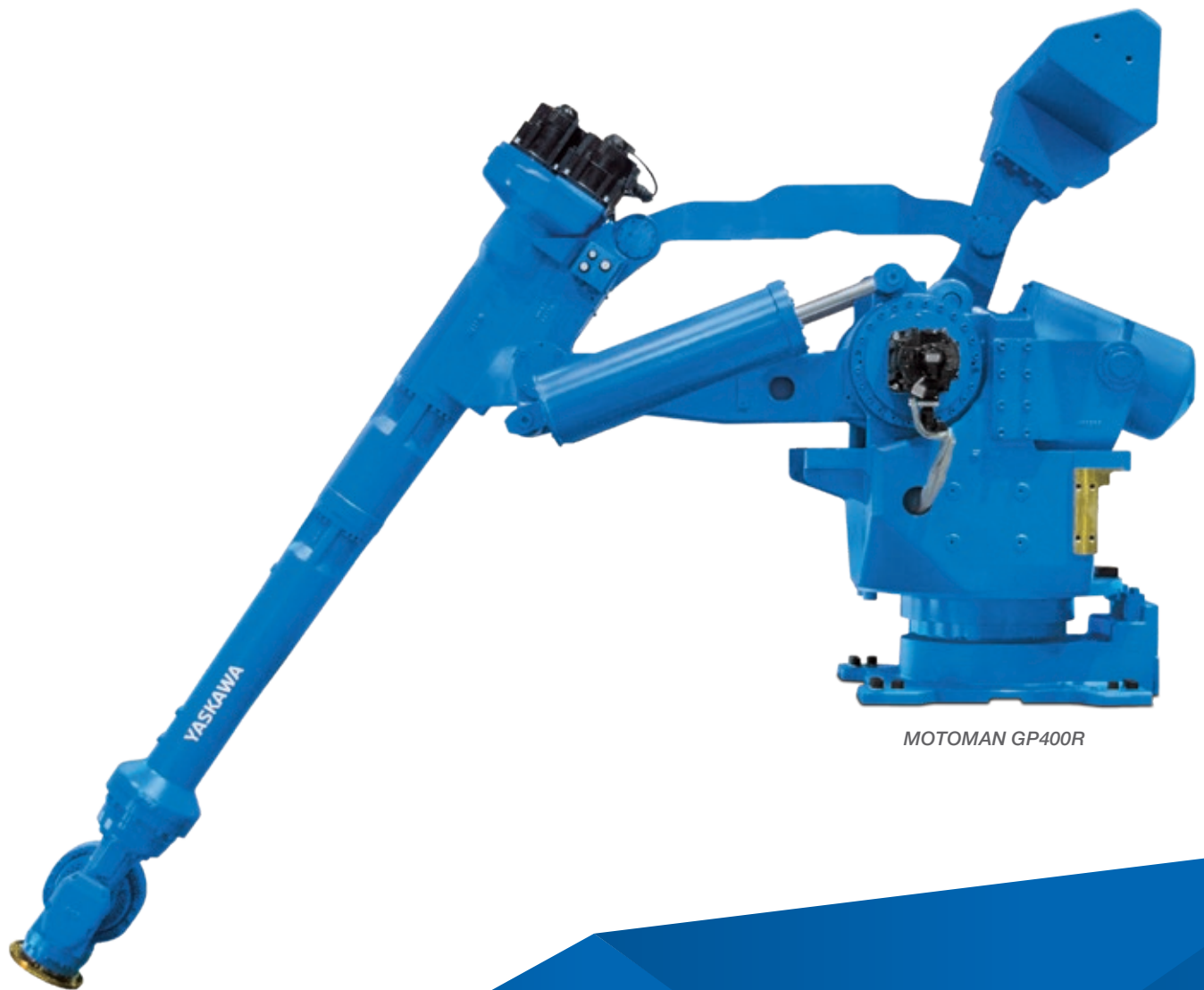


Specifications GP400R

Axes	Maximum motion range [°]	Maximum speed [°/sec.]	Allowable moment [Nm]	Allowable moment of inertia [kg · m ²]	Controlled axes	6
S	±150	80	-	-	Max. payload [kg]	400
L	+20/-122	80	-	-	Repeatability [mm]	±0.1
U	+120/-9	80	-	-	Max. working range R [mm]	3518
R	±360	80	1960	150	Temperature [°C]	0 to +45
B	±120	80	1960	150	Humidity [%]	20 - 80
T	±360	160	833	50	Weight [kg]	3560
					Power supply, average [KVA]	7,0



MOTOMAN GP200R



MOTOMAN GP400R

YASKAWA GROUP

AT	Yaskawa Austria Schwechat/Wien +43(0)1-707-9324-15
CZ	Yaskawa Czech s.r.o. Rudná u Prahy +420-257-941-718
ES	Yaskawa Ibérica, S.L. Gavà/Barcelona +34-93-6303478
FR	Yaskawa France SARL Le Bignon +33-2-40131919
FI	Yaskawa Finland Oy Turku +358-(0)-403000600
GB	Yaskawa UK Ltd. Banbury +44-1295-272755
IT	Yaskawa Italia s.r.l. Torino +39-011-9005833
IL	Yaskawa Europe Technology Ltd. Rosh Ha'ayin +972-3-9004114
NL	Yaskawa Benelux B.V. Eindhoven +31-40-2895500
PL	Yaskawa Polska Sp. z o.o. Wrocław +48-71-7928670
RU	Yaskawa Europe Holding AB Moskva +46-480-417-800
SE	Yaskawa Nordic AB Torsås +46-480-417-800
SI	Yaskawa Slovenia Ribnica +386-1-8372-410
TR	Yaskawa Turkey Elektrik Ticaret Ltd. Sti. İstanbul +90-216-5273450
ZA	Yaskawa Southern Africa (PTY) Ltd Johannesburg +27-11-6083182

DISTRIBUTORS

BG	ARAMET ROBOTICS Ltd. Yambol +359-885 317 294 Kammarton Bulgaria Ltd. Sofia +359-02-926-6060
DK	Robotcenter Danmark Løsning +45 7022 2477
EE	RKR Seadmed OÜ Tallinn/Estonia +372-68-35-235
GR	Gizelis Robotics Schimatari Viotias +30-2262057199
HU	Flexman Robotics Kft Budapest +36 1 259 0981
LT	Profibus UAB Panevezys +370-45-518575
NO	Skala Robotech AS Lierstranda +47-32240600
PT	ROBOPLAN Lda Aveiro +351-234 943 900
RO	Sam Robotics srl Timisoara +40 720 279 866 MPL Automation S.R.L. Satu Mare +40 261 750 741 NORMANDIA S.R.L. Braşov +40 268 549 236



Yaskawa Headquarters

Yaskawa Europe GmbH
Robotics Division
Yaskawastraße 1
85391 Allershausen, Germany
Tel. +49 (0) 8166/90-0
Fax +49 (0) 8166/90-103

robotics@yaskawa.eu.com
www.yaskawa.eu.com

Yaskawa Academy and sales office Frankfurt

Yaskawa Europe GmbH
Robotics Division
Hauptstraße 185
65760 Eschborn, Germany
Tel. +49 (0) 6196/77725-0
Fax +49 (0) 6196/77725-39

All drawing dimensions in mm.
Technical data may be subject to change without previous notice.
Please request detailed drawings at robotics@yaskawa.eu.com.

YR-1-06VRL120-A00, YR-1-06VR165-A00, YR-1-06VR200-A00,
YR-1-06VR300-A00, YR-1-06VR400-A00
MOTOMAN GP-Shelltype-series
C-11-2020, A-No. 205240

YASKAWA