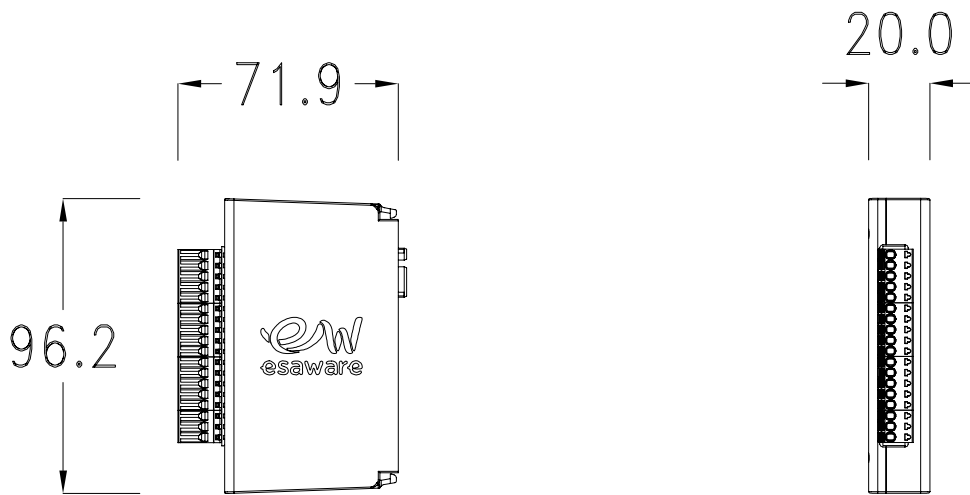


**EW** INGRESSI/USCITE  
**EW** INPUT/OUTPUT  
**EW** ENTRÉES/SORTIES  
**EW** EINGABE/AUSGABE  
**EW** ENTRADAS/SALIDAS

**Dimensioni / Dimensions / Dimensions / Abmessungen / Dimensiones**

---

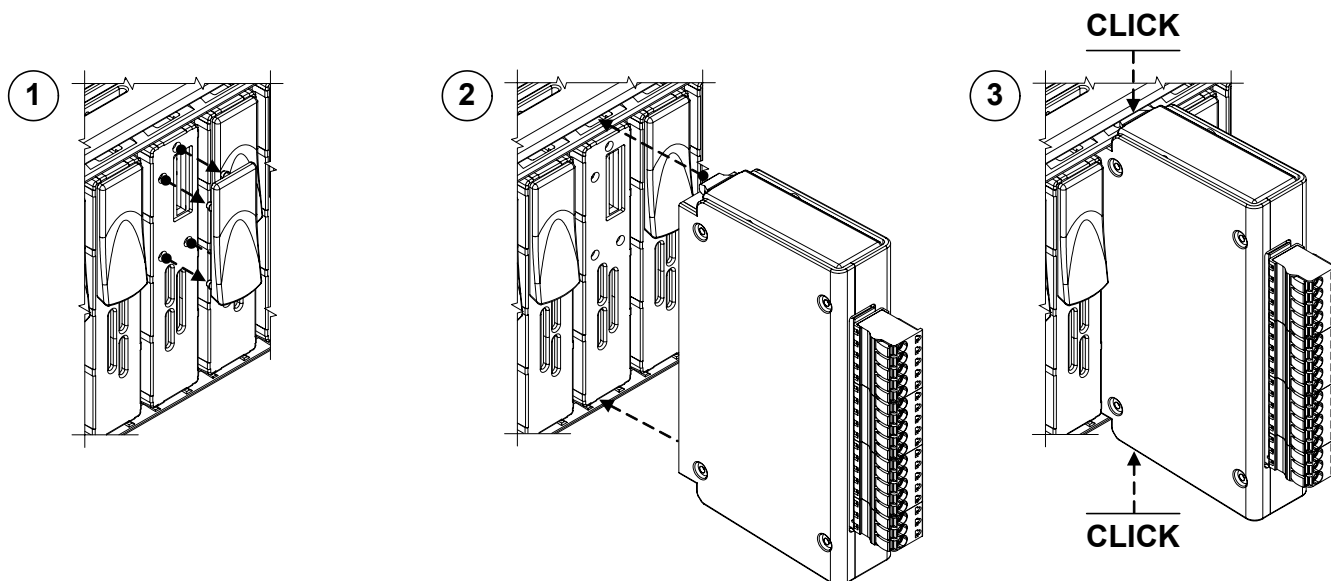
**EW600C**



## Montaggio EW600 su terminale EW / Assembly of terminal EW600 EW / Montage du EW600 sur terminaux EW / Montage des Terminals EW600 EW / Montaje del terminal EW600 EW

---

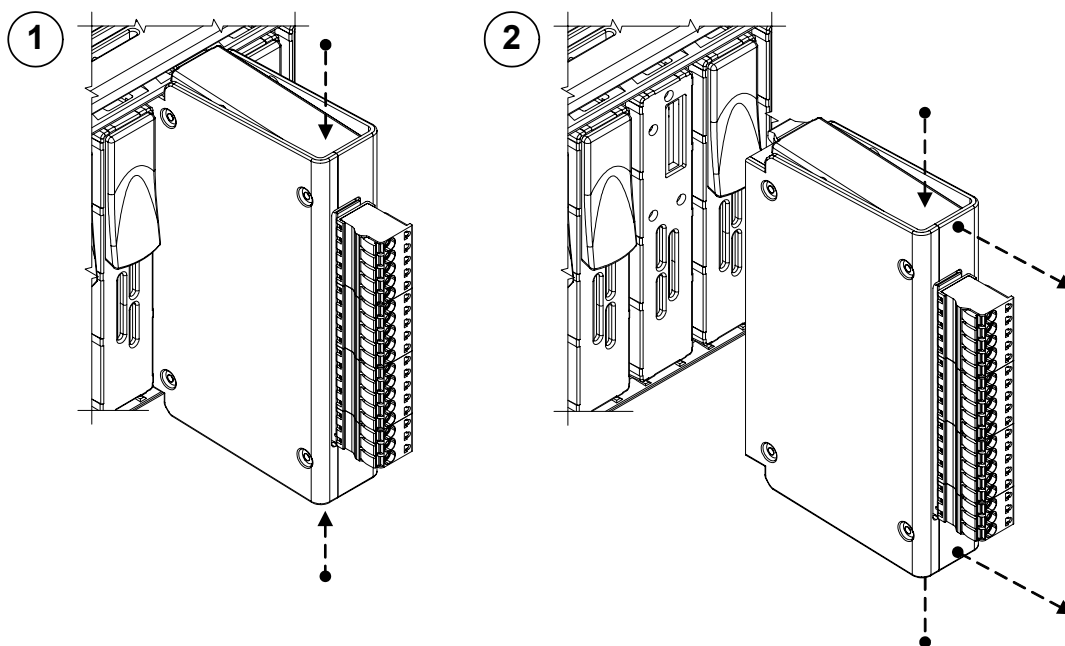
1. Spegner il EW / Switch off EW / Éteindre le EW / Das EW ausschalten / Apague el EW



## Rimozione EW600 da terminale EW / Removal from terminal EW600 EW / Retrait du EW600 des terminaux EW / Trennung vom Terminal EW600 EW / Extracción del terminal EW600 EW

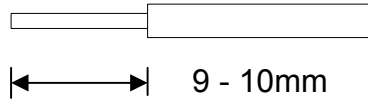
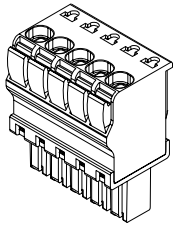
---

1. Spegner il EW / Switch off EW / Éteindre le EW / Das EW ausschalten / Apague el EW

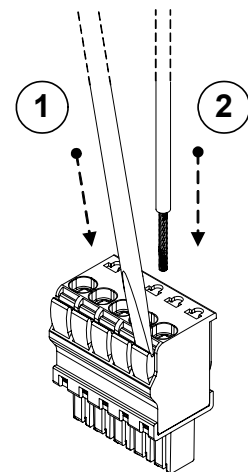
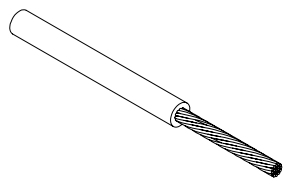
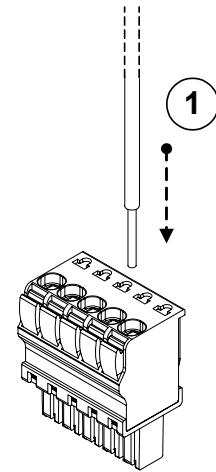
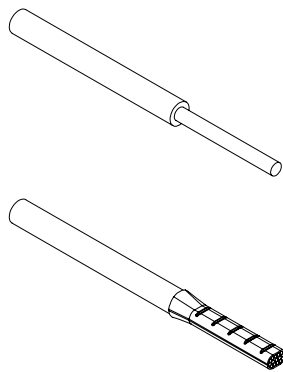


**Collegamenti elettrici / Electrical Connections / Connexions électriques / Elektrische Anschlüsse / Conexiones Eléctricas**

Spring connector

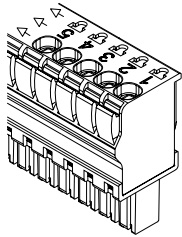


0,14 - 1,5 mm<sup>2</sup>  
30 - 14 AWG



**Collegamenti elettrici / Electrical Connections / Connexions électriques / Elektrische Anschlüsse / Conexiones Eléctricas**

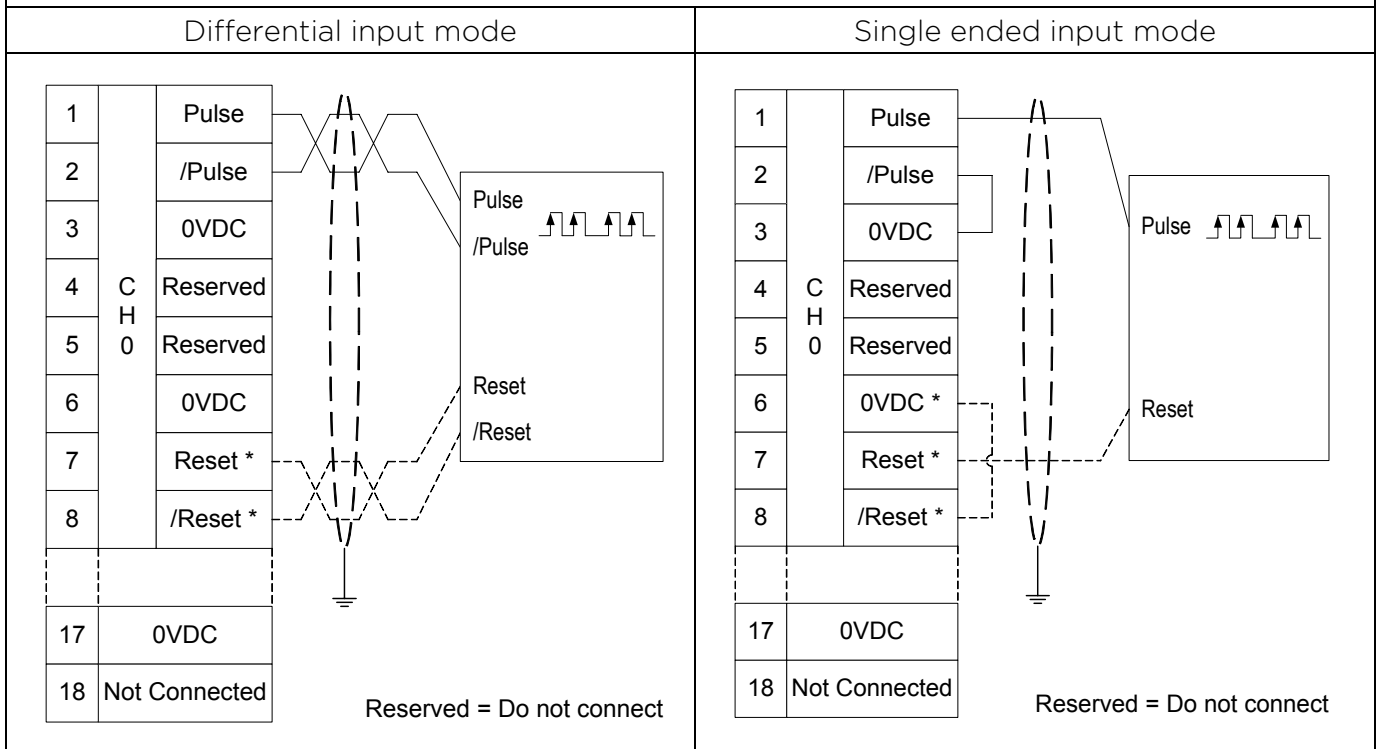
EW600C02N00 - I/O FAST INPUT 2IN - Opto-isolated  
 Max. frequency 100KHz - Input voltage 5-30V



Pin	Function (software selectable)				CH
	Incremental pulse input	Differential phase input (4x)	Up/Down input	Pulse+Direction input	
1	Pulse	A	Up pulse	Pulse	0
2	/Pulse	/A	/Up pulse	/Pulse	
3	0VDC	0VDC	0VDC	0VDC	
4	Reserved **	B	Down pulse	Direction	
5	Reserved **	/B	/Down pulse	/Direction	
6	0VDC	0VDC	0VDC	0VDC	
7	Reset *	Z *	Reset *	Reset *	
8	/Reset *	/Z *	/Reset *	/Reset *	
9	Pulse	A	Up pulse	Pulse	1
10	/Pulse	/A	/Up pulse	/Pulse	
11	0VDC	0VDC	0VDC	0VDC	
12	Not Used	B	Down pulse	Direction	
13	Not Used	/B	/Down pulse	/Direction	
14	0VDC	0VDC	0VDC	0VDC	
15	Reset *	Z *	Reset *	Reset *	
16	/Reset *	/Z *	/Reset *	/Reset *	
17	0VDC				
18	Not Connected				

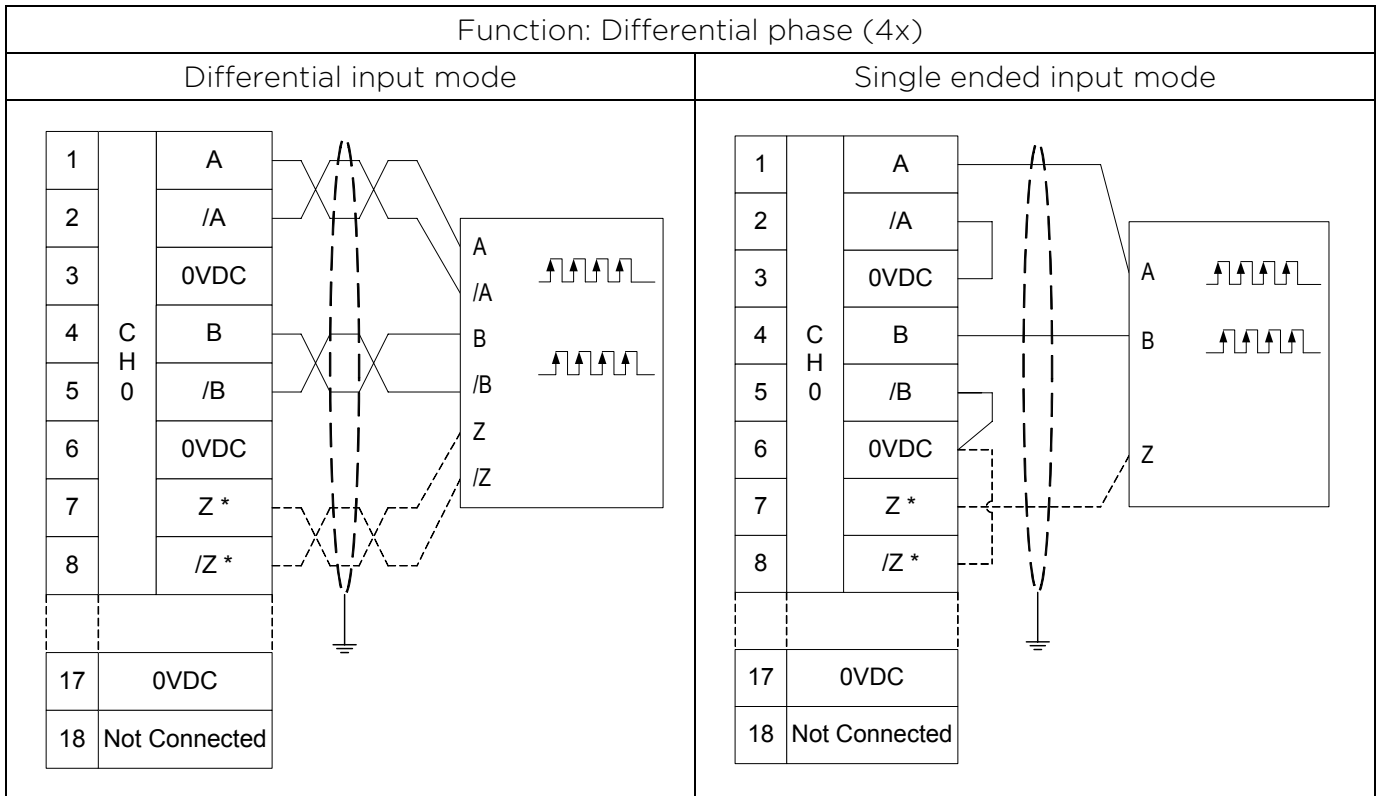
\* Software configurable    \*\* Reserved = Do not connect

Function: Incremental Pulse

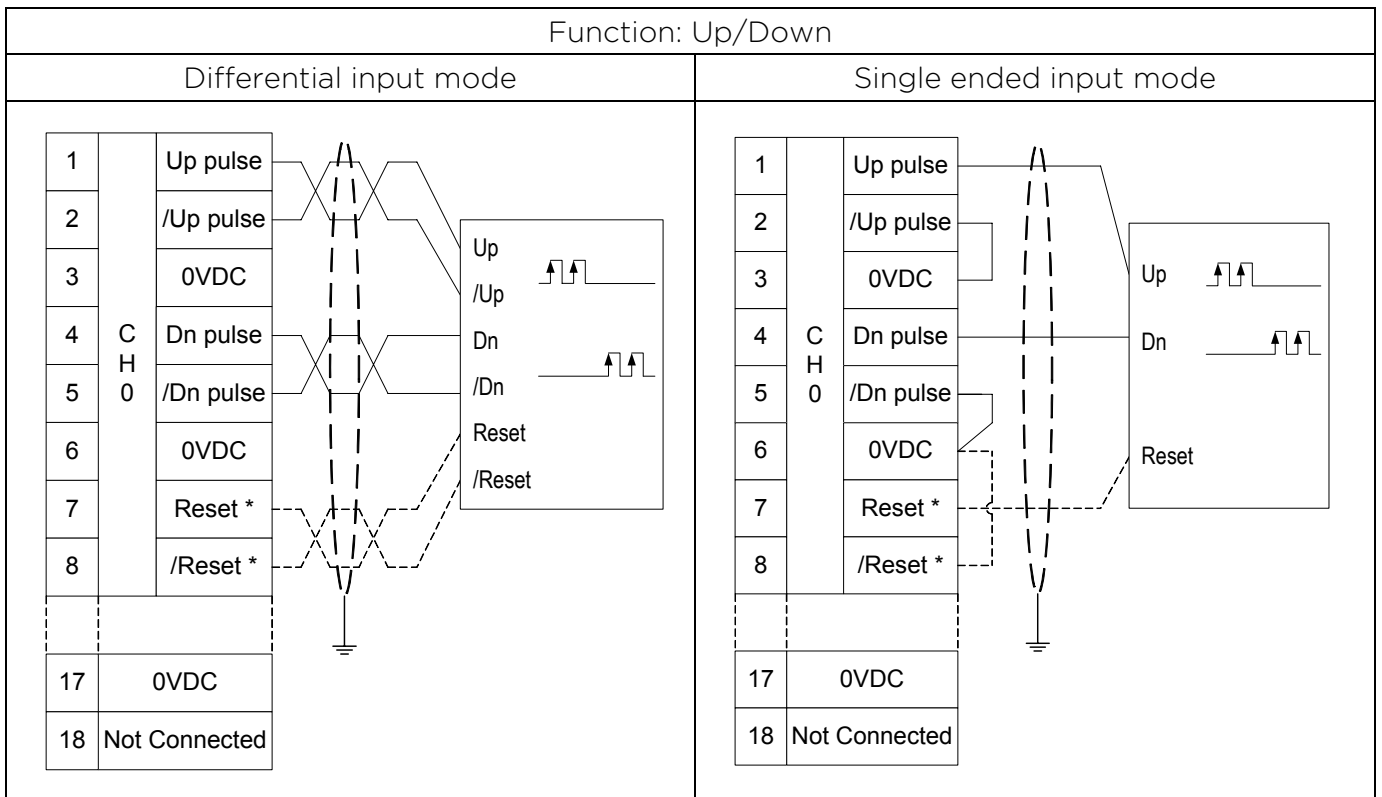


\* Connect only if the signal is configured by software

**Collegamenti elettrici / Electrical Connections / Connexions électriques / Elektrische Anschlüsse / Conexiones Eléctricas**

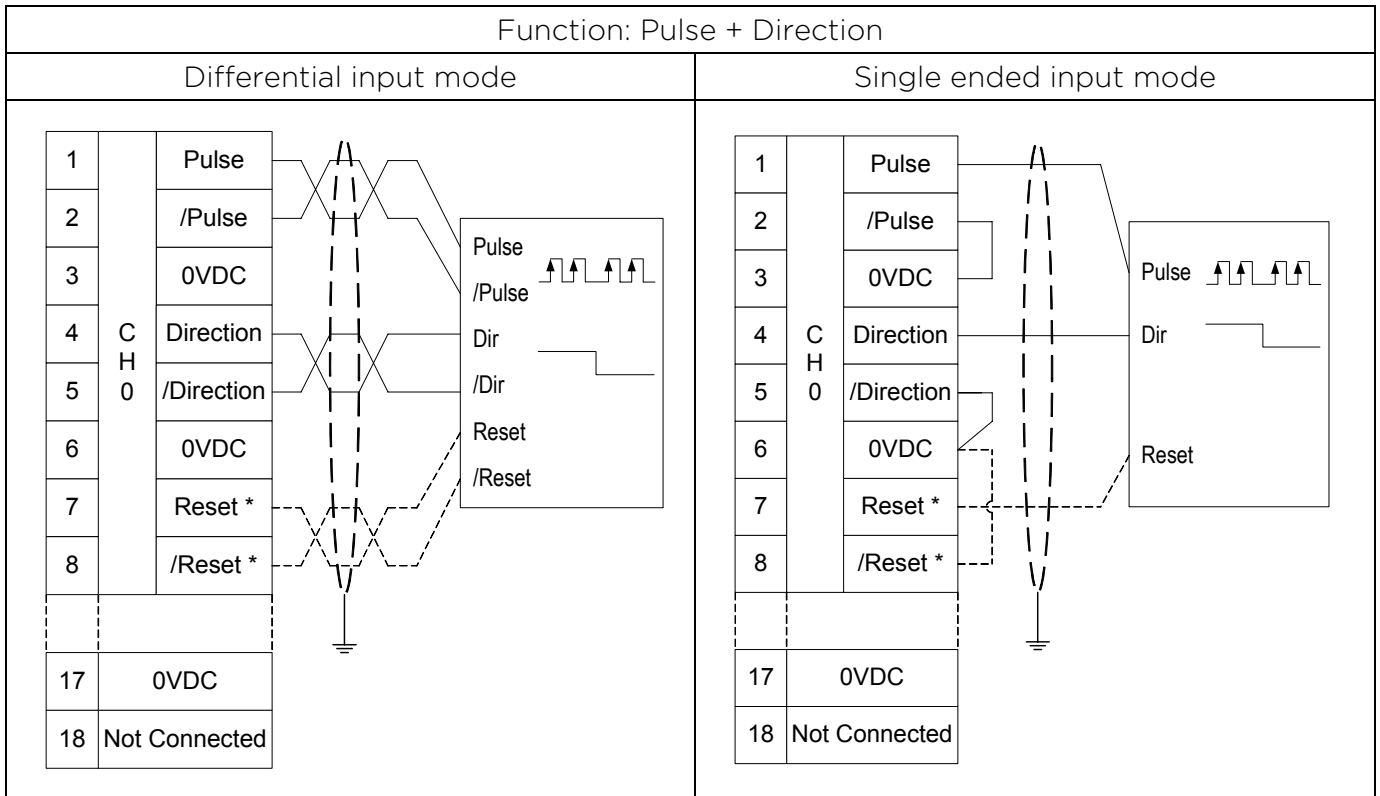


\* Connect only if the signal is configured by software



\* Connect only if the signal is configured by software

**Collegamenti elettrici / Electrical Connections / Connexions électriques / Elektrische Anschlüsse / Conexiones Eléctricas**



\* Connect only if the signal is configured by software